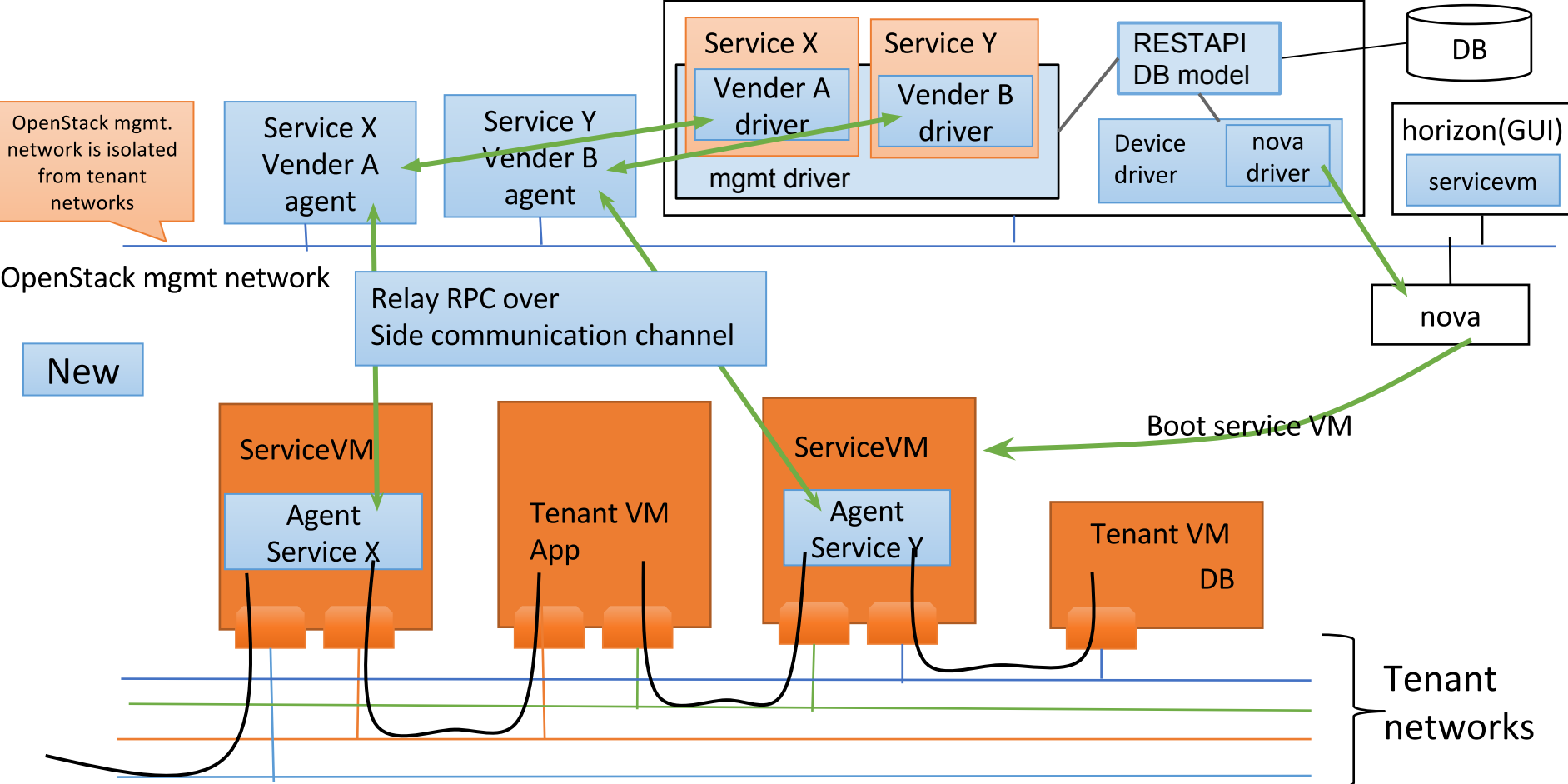


**Advanced service in VM  
framework:**

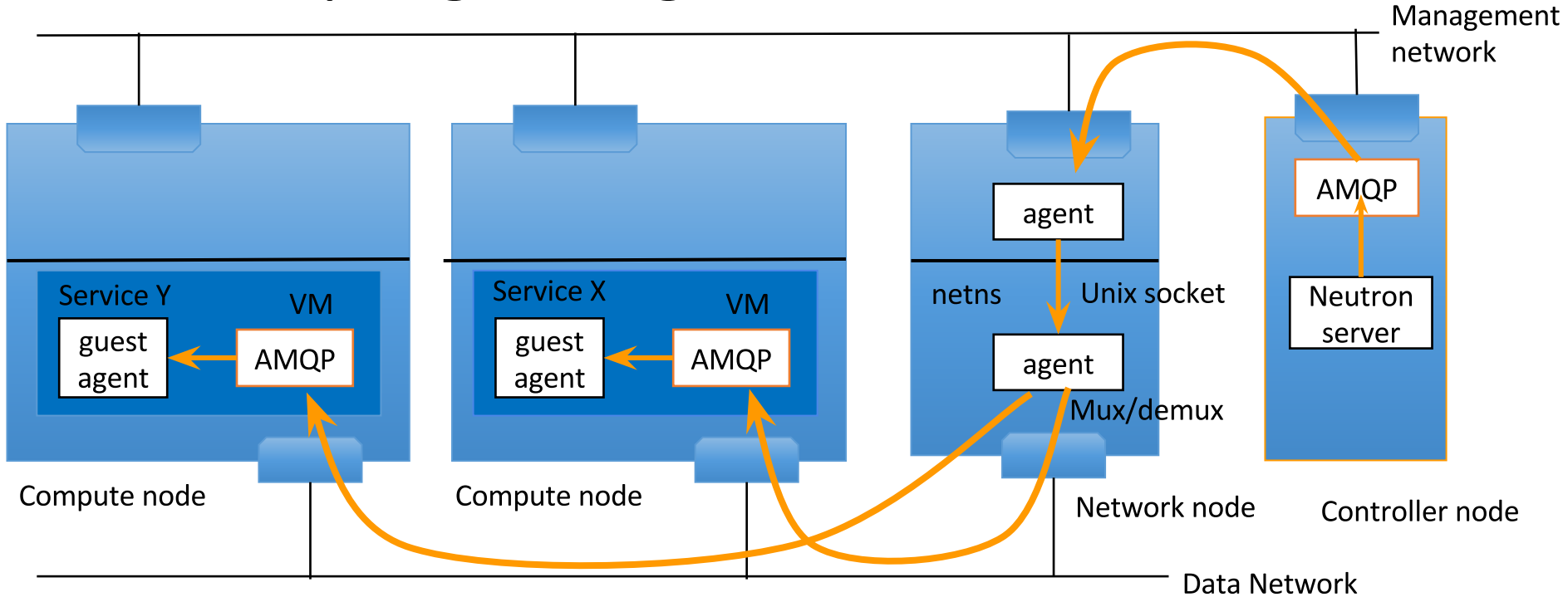
**Dividing features into  
smaller elements**

Component	description	status
Rest API/DB model		code available
device driver	drivers to configure device i.e. spin up/down service VM	nova driver available
mgmt driver side communication channel	drivers to configure device/service i.e. communicate to agent in VM relay RPC from server to guest agent	rpc/proxy driver available
guest agent		WIP for IaaS with haproxy as reference implementation
secure side communication channel		discussion needed conductor per agent/tenant
Horizon(GUI)		started
python-neutronclient		available
devstack		WIP

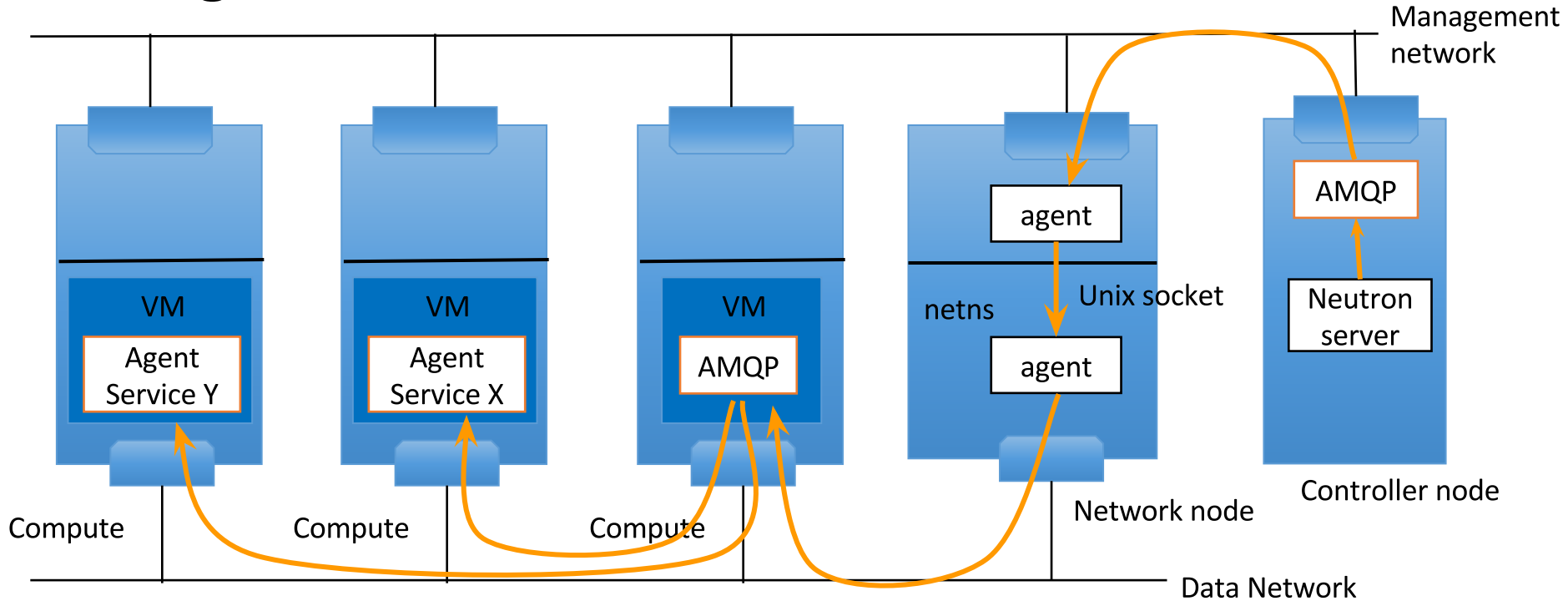
# Architecture overview



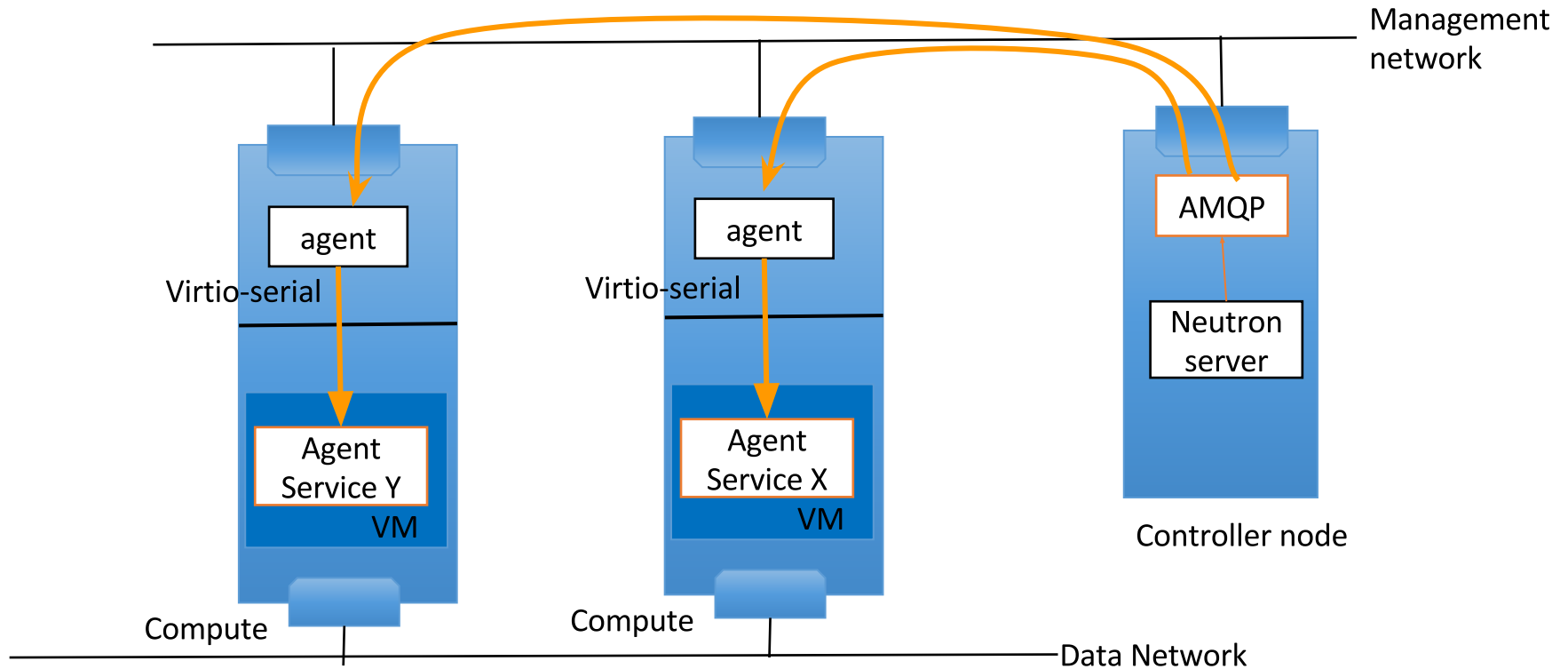
# AMQP per guest agent



# Single AMQP



# Virtio-serial communication



# Security with guest agent

